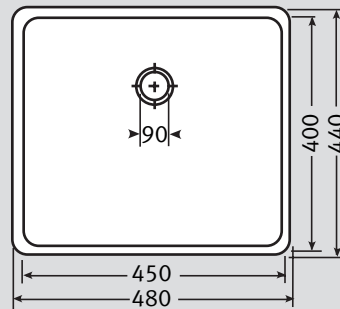


# Kubus KBX 110 45 Specifications

- Useful individual bowl
- 90mm waste/overflow
- Waste at rear of bowl
- Attractive 25mm radius
- Hygienic
- Easy to clean
- Minimalist design
- Compatible with Kubus models



**Material:** 304 Austenitic 18/10 Stainless Steel

**Application:** Undermount

**Bowl size:** 450 x 400 x 180

**Drainer Format:** N/A

**Cut-out size:** Utilise Template

**Colour:** Silk Stainless Steel

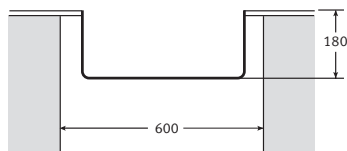
**Seal:** N/A

**Insulation:** Black Pads for sound insulation

**Heat Resistance:** Up to 300°C

**Earthing Point:** N/A

**Cabinet size:**

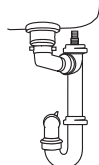


**Sink Profile:** Provided

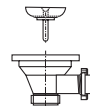


Alternative fixing systems

**Suggested Plumbing Kit:** 1 part or combination



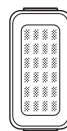
**Waste:** 1 x Lira 90mm Basket Strainer Waste with overflow



**Overflow:**



**Accessories available:**



**Strainer Bowl with handles**  
Stainless Steel



**Drainer Grille**  
Stainless Steel



**Chopping Board**  
Wood/Iroko

**Taps:** Any Franke tap can be utilised with this model\*.

\*Ceramic disc taps in certain installations or where there is a low head of water (below 4 meters) may not provide adequate flow rates. You are advised to check with your supplier.

Some taps may need bracing to avoid flexing of the sink ledge.

**Guarantee:** Franke sinks are guaranteed for 25 years against manufacturing defect. Franke taps are guaranteed against defective materials and workmanship for 1 year in relation to coatings and finishes, and 5 years in relation to moving parts. Franke will replace (and where appropriate repair) defective sinks. In relation to taps, Franke will where appropriate provide replacement parts for your taps or replace your taps. Any associated or ancillary costs to be incurred by you as a result of replacement of Franke sinks and taps under this guarantee shall in all cases be previously approved by Franke UK Limited.

This guarantee is in addition to and does not affect your statutory rights.