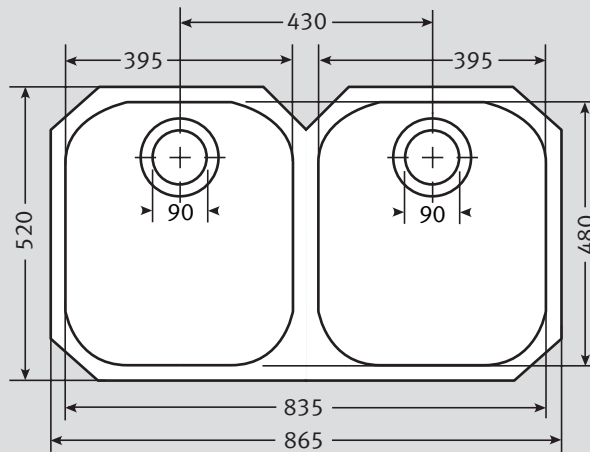
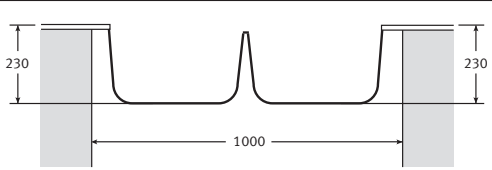
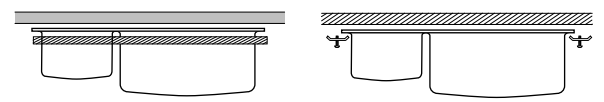


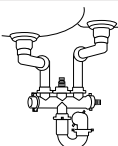
Regatta RGX 120 Specifications

- Large & deep American style bowl
- 2 x 90mm Wastes with Basket Strainer Wastes. Capable of adaptation to take Waste Disposal Unit
- Available as a Designer Pack



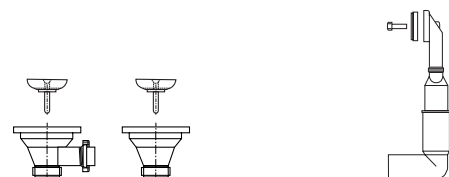
Material:	304 Austenitic 18/10 Stainless Steel	Waste:	2 x 90mm Fisc Wastes	Overflow:	
Application:	Undermounted				
Bowl Size:	395 x 480 x 230 (x2) Bowls welded to frame				
Drainer Format:	N/A				
Cut-out Size:	Utilise template *The template cut-out for the RGX 120 is oversize. If a flush fit installation is required the template should not be used.				
Colour:	Silk Stainless Steel				
Seal:	Apply sealant locally				
Insulation:	Grey Dynaphon for heat and sound				
Heat Resistance:	Up to 300°C				
Earthing Point:	Supplied with sink				
Cabinet Size:					
Fixing Clips:	Provided				
					
	Alternative fixing systems				

Suggested Plumbing Kit: 2 part



Waste: 2 x 90mm Fisc Wastes

Overflow:



Accessories: None available

Taps: Any Franke tap can be utilised with this model*.

*Ceramic disc taps in certain installations or where there is a low head of water (below 4 metres) may not provide adequate flow rates. You are advised to check with your supplier.

Guarantee: Franke sinks are guaranteed for 25 years against manufacturing defect. Franke taps are guaranteed against defective materials and workmanship for 1 year in relation to coatings and finishes, and 5 years in relation to moving parts. Franke will replace (and where appropriate repair) defective sinks. In relation to taps, Franke will where appropriate provide replacement parts for your taps or replace your taps. Any associated or ancillary costs to be incurred by you as a result of replacement of Franke sinks and taps under this guarantee shall in all cases be previously approved by Franke UK Limited. This guarantee is in addition to and does not affect your statutory rights.