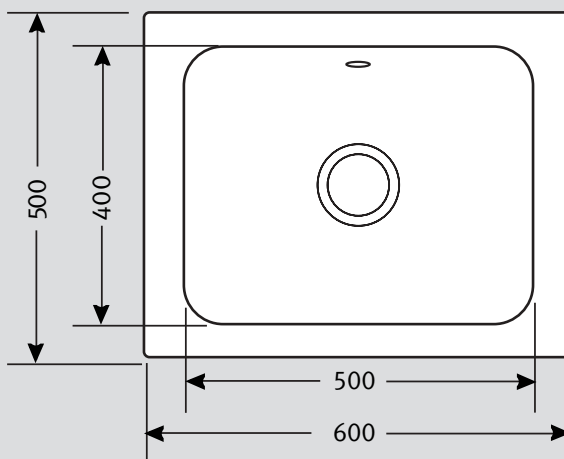


BFX 710 Specifications

- Large Belfast design
- Suitable for Undermount, Flush fit or stand alone applications



Material: 304 Austenitic 18/10 Stainless Steel

Application: Undermount/Flush/Stand Alone

Bowl size: 500 x 400 x 200

Drainer Format: Not applicable

Cut-out size: N/A

Colour: Silk Stainless Steel

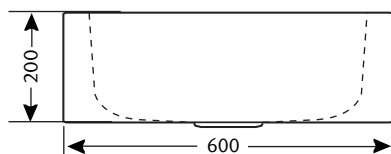
Seal: N/A

Insulation: N/A

Heat resistance: Up to 300°

Earthing Point: Utilise frame

Cabinet size:

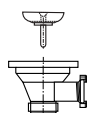


Sink Profile: N/A

Fixing Clips: N/A

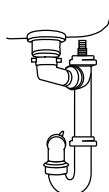
Waste: 1 x Lira 90mm Basket Strainer Waste

Overflow:



Accessories available: Not applicable

Suggested Plumbing Kit: 2 part



Taps: Any Franke tap can be utilised with this model*.

*Ceramic disc taps in certain installations or where there is a low head of water (below 4 metres) may not provide adequate flow rates. You are advised to check with your supplier.

Guarantee: Franke sinks are guaranteed for 25 years against manufacturing defect. Franke taps are guaranteed against defective materials and workmanship for 1 year in relation to coatings and finishes, and 5 years in relation to moving parts. Franke will replace (and where appropriate repair) defective sinks. In relation to taps, Franke will where appropriate provide replacement parts for your taps or replace your taps. Any associated or ancillary costs to be incurred by you as a result of replacement of Franke sinks and taps under this guarantee shall in all cases be previously approved by Franke UK Limited. This guarantee is in addition to and does not affect your statutory rights.